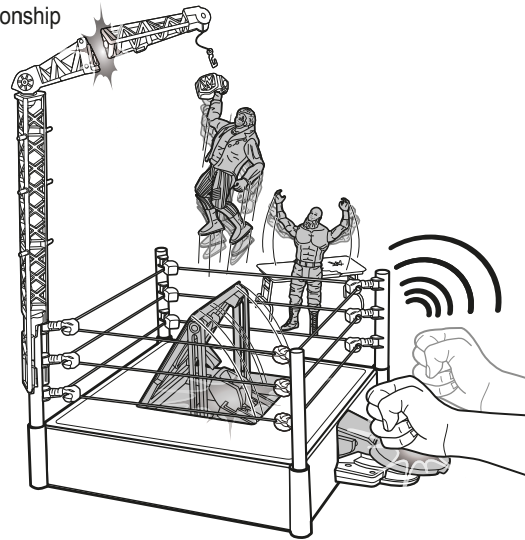
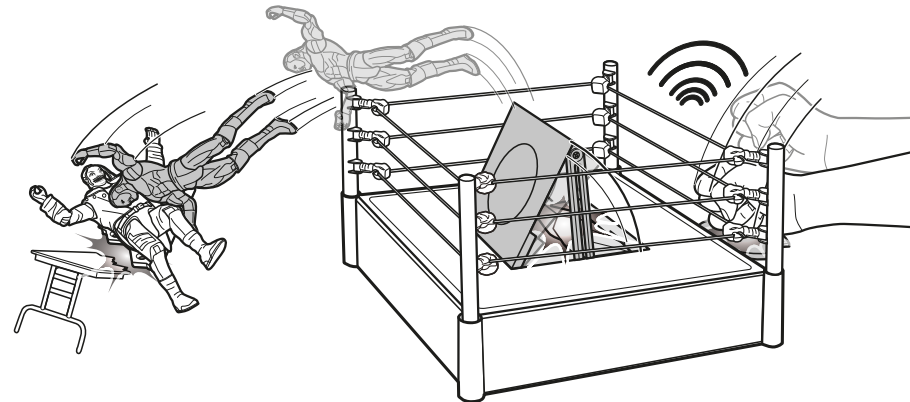


4. TO PLAY 2: LAUNCHER MODE (CONTD.)

E1. Slam the bell to launch towards Championship and activate match action sounds!



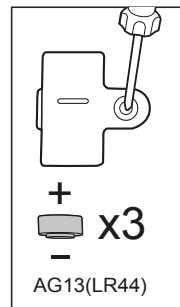
E2. Or launch into opponents outside the ring!



WARNING: Do not aim at eyes or face. Only use projectiles supplied with this toy. Do not fire at point blank range.

5. BATTERY REPLACEMENT

- Batteries included are for demonstration purposes only.
- Replace the batteries if sounds distort.
- Unscrew the battery cover with a Phillips head screwdriver (not included).
- Remove batteries and dispose of them safely.
- Install 3 new button cell (AG13, LR44) batteries in the battery box.
- Replace battery cover and tighten screw.
- For longer life, use alkaline batteries.
- When exposed to an electrostatic source, the product may malfunction. To resume normal operation, remove and reinstall the batteries.



NOTE: This product is equipped with an automatic shut-off feature that helps preserve battery life.

4

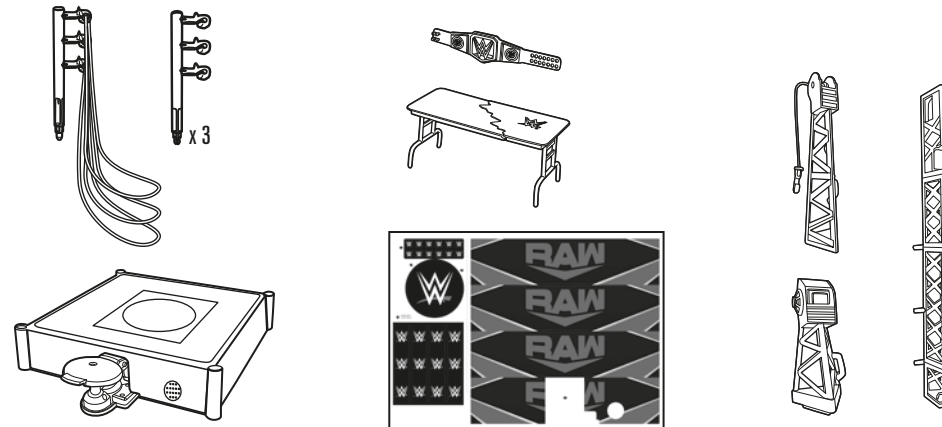


KICKOUT RING INSTRUCTIONS

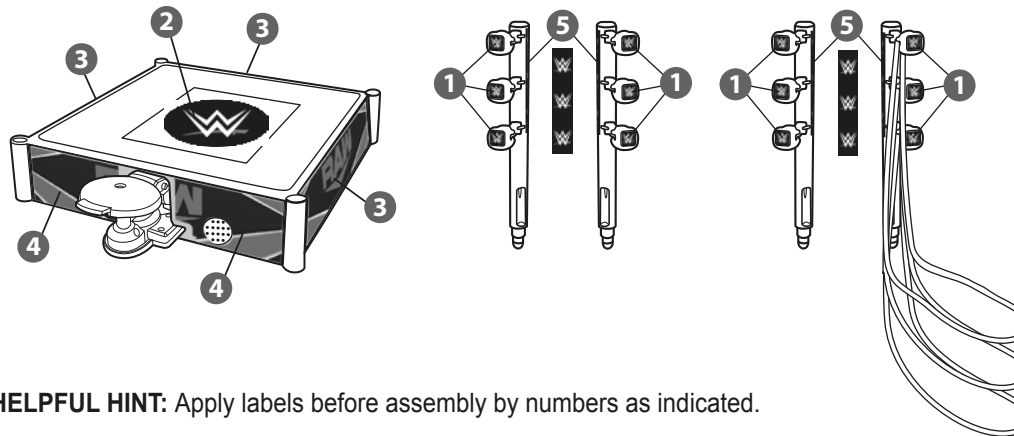
6+

Please keep these instructions for future reference as they contain important information.

CONTENTS



1. APPLY LABELS



HELPFUL HINT: Apply labels before assembly by numbers as indicated.

©2020 Mattel. ® and ™ designate U.S. trademarks of Mattel, except as noted. Mattel, Inc., 636 Girard Avenue, East Aurora, NY 14052, U.S.A. Consumer Services 1-800-524-8697. Mattel U.K. Ltd., Vanwall Business Park, Maidenhead SL6 4UB. Helpline 01628 500303. Mattel Australia Pty. Ltd., 658 Church St., Richmond, Victoria, 3121. Consumer Advisory Service - 1300 135 312. Mattel South Africa (PTY) LTD, Office 102 B, 30 Melrose Boulevard, Johannesburg 2196. Mattel East Asia Ltd., Room 503-09, North Tower, World Finance Centre, Harbour City, Tsimshatsui, HK, China. Tel.: (852) 3185-6500. Diimport & Diedarkan Oleh: Mattel Southeast Asia Pte. Ltd., No 19-1, Tower 3 Avenue 7, Bangsar South City, No 8, Jalan Kerinchi, 59200 Kuala Lumpur, Malaysia. Tel: 03-33419052.

All WWE programming, talent names, images, likenesses, slogans, wrestling moves, trademarks, logos and copyrights are the exclusive property of WWE and its subsidiaries. All other trademarks, logos and copyrights are the property of their respective owners. © 2020 WWE. All Rights Reserved.



GXV80-0970G1
1101190121-D0M



1

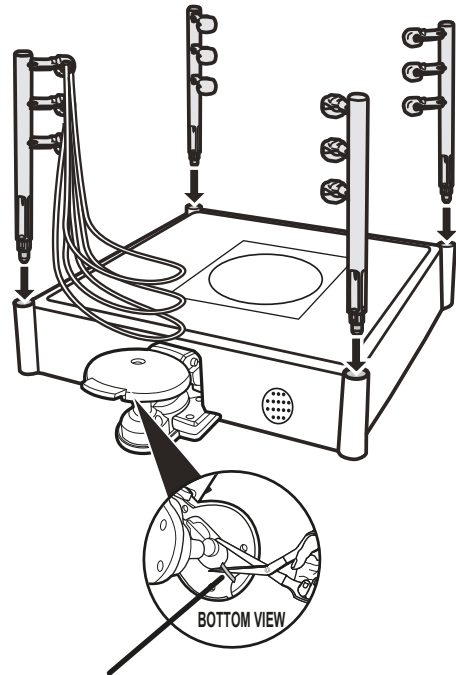
INSTRUCTION SHEET SPECIFICATIONS

Toy: WREKIN' BUILD COLLISION CAGE
Toy No.: GXV80-0970G1
Part No.:
Trim Size: A4
Folded Size:
Type of Fold:
colors: One
Colors: Black
Paper Stock: FSC recycled paper
Paper Weight: 70 gsm
EDM No.:

Please add (00001-2908)
BATTERY SAFETY INFORMATION FLYER in package

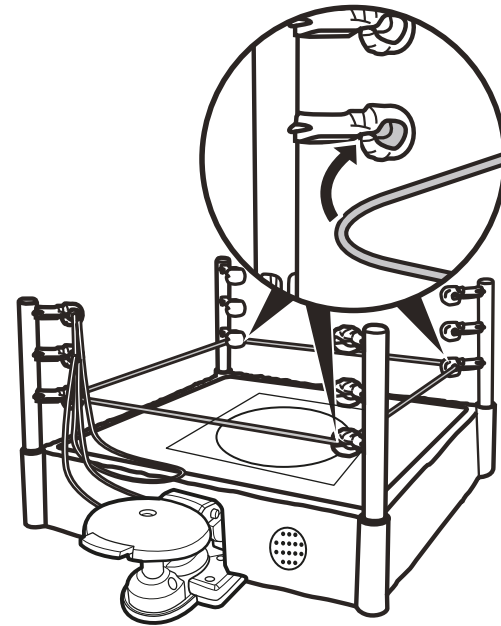
2. ASSEMBLY

A.



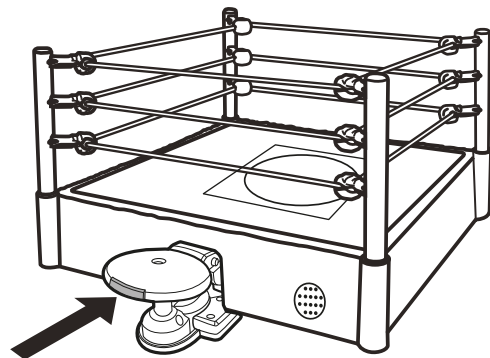
To be removed by adults with safety scissors (not included).

B. Attach ropes, starting from the bottom rope up.

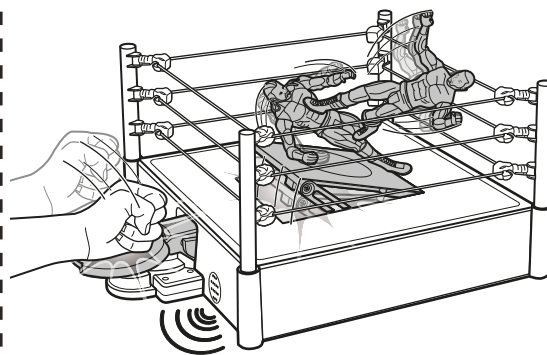


3. TO PLAY 1: REFEREE MODE

A. Push bell tab in to set up Referee Mode.



B. Slam the bell to activate random pinfall and kickout sounds!

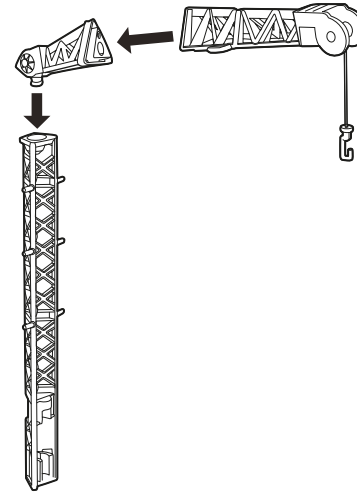


FIGURES SOLD SEPARATELY. SUBJECT TO AVAILABILITY.

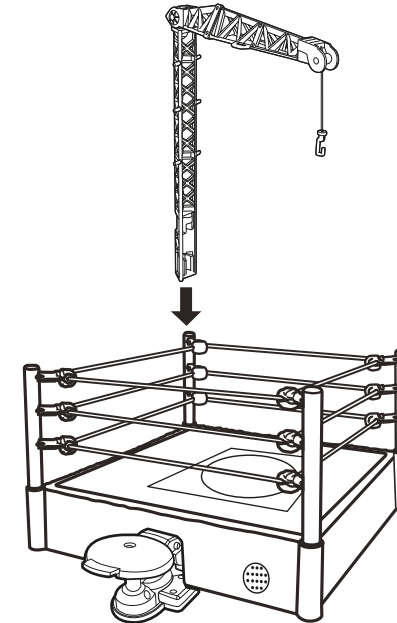
2

4. TO PLAY 2: LAUNCHER MODE

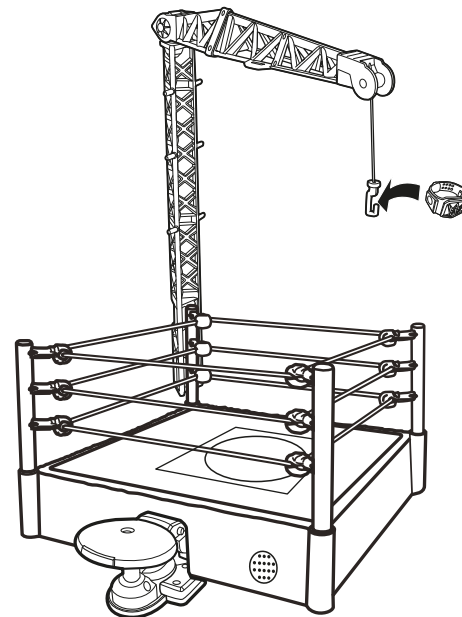
A. Assemble the crane tower.



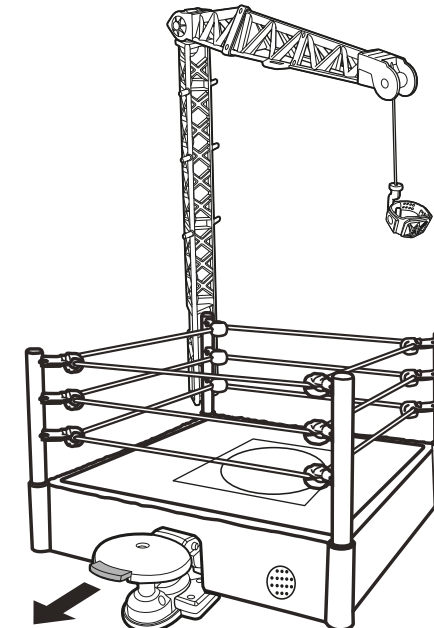
B. Attach the crane tower to any one of ring posts.



C. Attach the Championship to the crane.



D. Pull bell tab out to set up Launcher Mode.



3